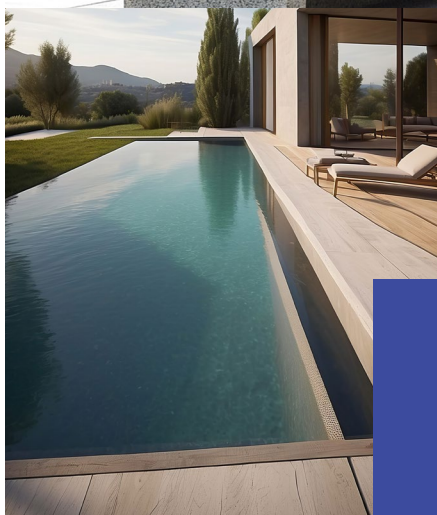




Urban Furniture, Concrete
Products and Swimming Pools.

CATALOG 2026/27





For over forty years it has been present in the sector of street furniture, private construction and manufactured goods on request.

Arte Cemento Chinelli srl

Specializing in
Pool Edges.

Urban Furniture, Concrete Products and Swimming Pools

For over 40 years Arte Cemento has been a leading company in the production of high-quality concrete products that combine functionality and aesthetics.

For us, concrete is not just a building material, it is an art form and every product we produce is the result of a careful and curated creative and engineering process. Our vision is to transform the raw material into works that tell stories, that embellish urban spaces and that stand the test of time. **Attention to detail and innovation are at the heart of our production.**

We are a manufacturing company that combines historic artisan knowledge with the most innovative technologies to ensure perfect product care, from design to final production.

Our company **specializes in the production of perimeter edges for swimming pools of different types: standard, overflow edge and flat edge, in straight, corner and radius versions.**

Every member of our team shares a deep love for their work, from design to production. Our artisans and technicians are highly trained and respect the artisanal manufacturing techniques that have defined the industry.

Over time we have developed skills and consolidated experience, **to give life and shape to any of your projects.**

Tailor-made Solutions For You



Wide range of solutions

Portfolio with 30 products and more than 80 total variants.



Customization

We are able to adapt to meet every customer need.



High quality standards

Our products are tested according to the most stringent UNI and ISO standards.



Customer care

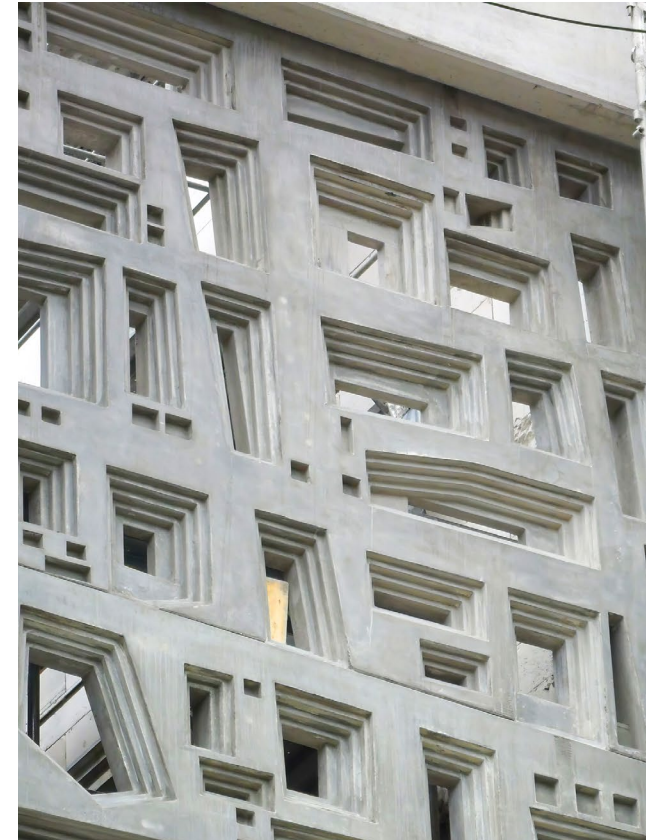
We follow the customer step by step, from design to final delivery.

Our mission is **to shape concrete with unique textures, colors and finishes of the highest quality, creating durable and innovative products** to meet every need and request of our customers. We believe in the power of **concrete as a versatile material, capable of giving shape to unique and functional spaces.**

In an ever-evolving sector, we constantly invest in research and development. This allows us to offer innovative solutions while reducing environmental impact, promoting sustainability with an eye on future generations and for a cleaner world.

In the production of our concrete products **we have implemented eco-sustainable practices by reducing waste and optimizing the use of resources and raw materials.**





***“Arte Cemento ... when
the passion for concrete
products translates into a
solid reality.”***

Arte Cemento Chinelli srl

More than 40 years of experience in the manufacturing sector

We believe that a great product should be accompanied by great customer service. Our team is made up of the best craftsmen in the sector, committed every day at the heart of the company's production and we are ready to collaborate with our customers in every phase of the project, from the dream, to the design and finally to the realization, guaranteeing maximum seriousness, competence and quality. We understand that customer satisfaction is not limited to the quality of our products, but also **includes professional, competent and timely assistance.**

Our goal is to **ensure a smooth and positive experience at every stage of the process, from initial consultation to final delivery.** At Arte Cemento we are always available to offer personalized advice.



Whether it is helping customers choose the right product or providing technical support during the design phase, we are here to listen to your needs and provide you with tailor-made solutions by assisting you in choosing materials, finishes, textures, shapes and colors, in defining technical specifications and in creating unique designs, in line with your visions and desires.

We believe in the importance of clear and transparent communication from the first interaction to the completion of the project.

Urban Furniture

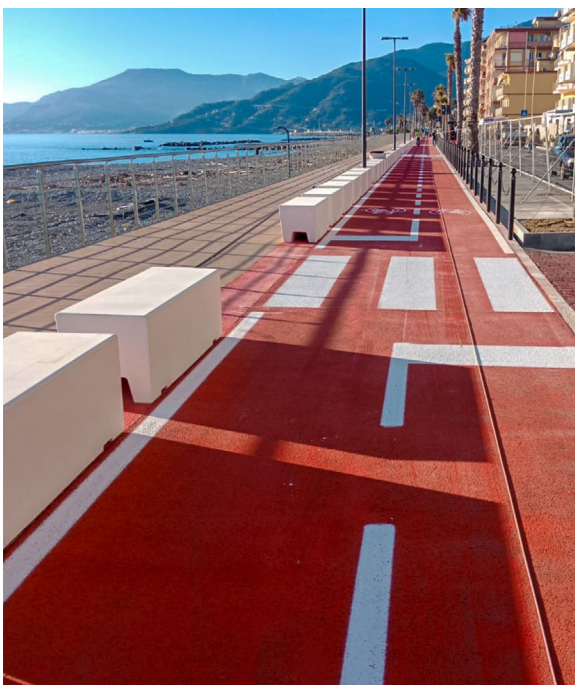
We create urban furniture and work on site with our products, thanks to the help of our craftsmen and based on the needs of the Customer, including **benches, fountains, manholes, flower boxes, vases, separating walls and also fixed and mobile bollards.**

Concrete products for furnishing public or private spaces such as streets, squares, avenues, urban parks and open spaces in general.

These products are **ideal for creating welcoming and well-organized public spaces**, contributing to urban decorum and the quality of life in cities.

Concrete urban furniture is a popular choice for enhancing the aesthetics and functionality of public spaces such as parks, plazas and gardens. This type of furniture includes a variety of elements such as benches, planters, bollards and waste bins, all made of concrete to ensure durability and resistance to atmospheric agents.

Aesthetics: With modern processing techniques, concrete can be finished in various ways to obtain different textures and colors, improving the aesthetic appearance of public spaces.



Advantages

Concrete urban furniture offers numerous benefits, making it a popular choice for many cities and public spaces. Here are some of the key benefits:

✔ Durability

Concrete is **extremely resistant to weathering**, wear and tear and vandalism. This makes it ideal for outdoor use where it is exposed to variable weather conditions.

✔ Versatility

Concrete can be **molded into a wide range of shapes and sizes**, allowing for the creation of unique, custom designs that blend seamlessly into their surroundings.

✔ Sustainability

Concrete can be produced using recycled materials and, if well designed, can help reduce the overall environmental impact of street furniture.

✔ Safety

Concrete fixtures, such as bollards and barriers, can improve the safety of public spaces by protecting pedestrians and cyclists from vehicular traffic.



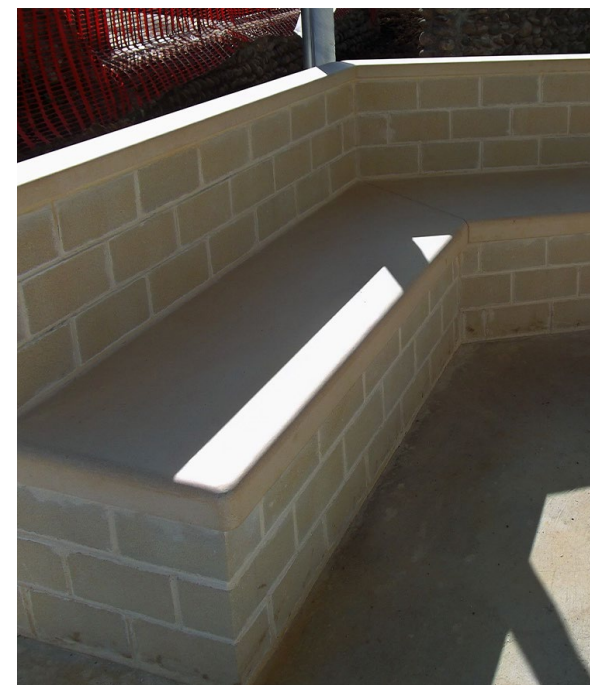
Benches

Concrete benches are the **best solution for furnishing public and private spaces, combining strength, aesthetics and design**. At Arte Cemento we specialize in the **production of high-quality benches designed to last over time and enhance any public or private environment and area**.

These urban furniture elements not only enhance the aesthetics of outdoor spaces, but also offer numerous practical benefits, making them an ideal choice for parks, gardens, industrial and public areas. **Positioned in front of shops and restaurants, they create welcoming environments** where customers can relax and socialize.

Their solid construction **ensures they can withstand high loads and intensive use**, while minimising maintenance costs.

They can be customized in a wide range of colors and finishes. We bring to life every idea, whether it has a modern and minimalist look with neutral tones, or a lively and eye-catching design, paying particular **attention to finishes such as sanding or polishing for an impeccable touch**. We work directly with architects, designers and clients to develop tailor-made solutions that meet specific design needs. **We are ready to discuss your ideas and work together to make them happen**.



Advantages

Concrete benches **are not subject to deterioration caused by atmospheric agents, insects or humidity**. A particularly advantageous choice for those who seek and choose long-term solutions, solutions for life. Our creations are characterized by:

✔ Durability

Made with **top quality materials to ensure the highest quality**, our benches are resistant to atmospheric agents, impacts and wear, ensuring a long life over time, without the need for frequent maintenance. **We carry out rigorous quality controls during all stages of production**, ensuring that each bench complies with the highest standards.

✔ Versatility

Concrete benches can be used in various contexts: parks, private and public gardens, squares, commercial areas and municipal spaces. **Their versatility allows them to be harmoniously integrated into any project**.

✔ Customizable Design

Every project is unique. **We create artifacts in different shapes, colors, finishes and textures, accompanying our customers in choosing the design that best suits their needs and requests**. Modern and minimalist lines or classic and traditional. We have the perfect solution for every architectural style and maximum care in every detail.

✔ Sustainability

Our production processes are **green and designed to minimize environmental impact**. We use eco-friendly materials and innovative technologies to ensure a sustainable final product while maintaining its quality.





Milano Bench

DIMENSIONS: 150x50x45

FINISHES: SMOOTH - SMOOTHED - SANDBLASTED

COLORATIONS: WHITE - SAND - CLS GREY OR ON CUSTOMER'S REQUEST

A bench with clean lines that lends itself to embellishing multiple contexts, from private to urban. Available in different finishes and colors or customizable upon customer request.



Sanremo Bench

DIMENSIONS: 200x50x50 SP. 15 A C

FINISHES: SMOOTH - SMOOTHED - SANDBLASTED

COLORATIONS: WHITE - SAND - CLS GREY OR ON CUSTOMER'S REQUEST

A bench with a perfect geometric line that represents the ideal choice for those who want to furnish the environment without weighing it down. Available in different finishes and colors or customizable upon customer request.

Block Bench

DIMENSIONS: 200x50x50

FINISHES: SMOOTH - SMOOTHED - SANDBLASTED

COLORATIONS: WHITE - SAND - CLS GREY OR ON CUSTOMER'S REQUEST

A bench with a minimal and essential line, the ideal choice for those who embrace the minimal style. Available in different finishes and colors or customizable upon customer request.





Fence Slabs and Posts

DIMENSIONS:

200x50x3.8 SLAB

270x15x15 POST

FINISHES: SMOOTH WITH 2 FACES

COLORATIONS : CLS GREY

Concrete fence slabs and posts are a popular choice for fencing properties, both residential and industrial. They offer a combination of strength, durability and versatility.



Umbrella Bases

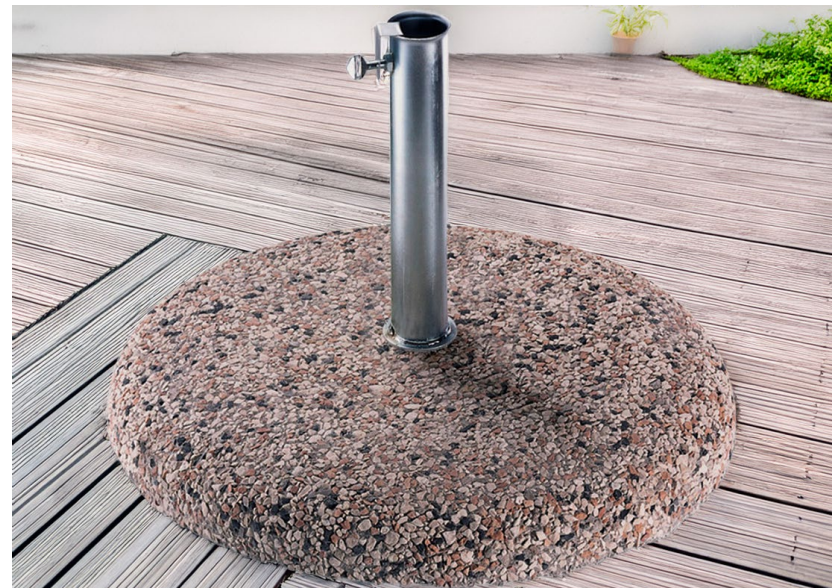
DIMENSIONS: ROUNDED DIAM. 44 – 54 – 60 – 65

SQUARE HANDLES VARIATION 50X50

FINISHES: WASHED-SANDBLASTED

COLORATIONS: BOTTICINO OR ON REQUEST

Umbrella bases with clean lines that offer stability and safety without sacrificing aesthetics to embellish your outdoor spaces. Available in two finishes, smooth or sandblasted and in the color botticino. Other colors are available upon customer request.



Artifacts

With the help of **the most modern technologies and innovative materials**, we create products for furniture, for the garden and decorative elements in general.

The range of our products is very wide and ranges from **flowerpots to vases, from columns and balusters to tympanums and architraves**.

We also produce shelves, window sills, balustrades, eaves cornices and **any other custom-made product and customer design**, possibly revised and adapted together with our qualified staff.

The elements we produce allow you to give **an additional value to the property with a customization, in line with the customer's tastes** and particularly suitable for the recovery of parts of period buildings.

Concrete products are prefabricated elements used in various construction sectors, such as civil-residential, cemetery, water treatment, infrastructure, road and airport.

The production of concrete products follows several phases, each essential to guarantee the quality and durability of the final product.



Advantages

Here's an overview of the process:

✔ Materials selection

The aggregates (sand, gravel, crushed stone), cement and, if necessary, additives such as **fluidifiers and fibres to improve the properties of the concrete are chosen.**

✔ Mixing

The materials are mixed in precise proportions. The mixture is then mixed with water in a controlled amount **to obtain a homogeneous consistency.**

✔ Molding

The mixture is poured into molds that give the desired shape to the product. During this stage, vibration is used to eliminate any air bubbles and ensure uniform density.

✔ Finish

After curing, the artifacts can be finished to improve the aesthetic appearance and surface properties. This may include **sanding, painting or applying protective treatments.**





Wall Covers – Sizes 15/20/25

DIMENSIONS: 100x4x25-30-35

FINISHES: SMOOTH – SANDBLASTED

COLORATIONS: WHITE – SAND – CLS GREY OR ON CUSTOMER REQUEST

Solid and long-lasting wall coverings to give a touch of elegance and refinement to every home, palace or historic residence. Available in two finishes, smooth or sandblasted, and in the colors gray, white and sand. Other colors are available upon customer request.



Street Curb

DIMENSIONS: 100x25x5 STRAIGHT (SEMICIRCULAR ON REQUEST)

FINISHES: SMOOTH – SANDBLASTED

COLORATIONS: WHITE – SAND – CLS GREY OR ON CUSTOMER REQUEST

Concrete curbs for outdoor borders, sidewalks and a wide range of uses available in various sizes, in smooth or sandblasted finishes and in gray, white and sand colors. Other colors are available upon customer request.

Crema Gutter

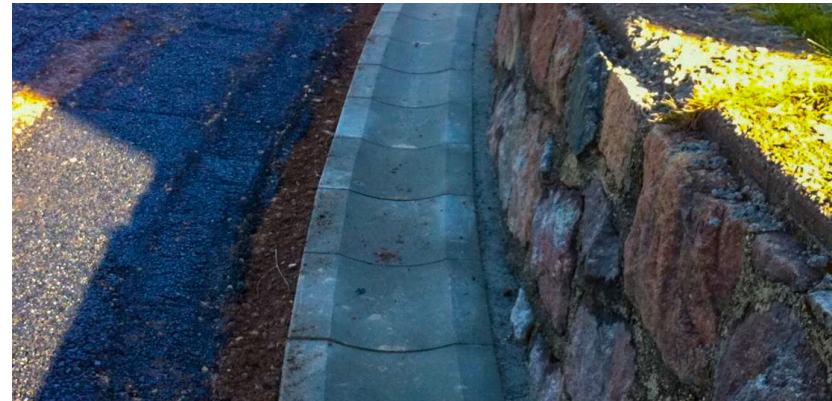
DIMENSIONS: 100x30x10/8 STRAIGHT

CON FERITOIA 50x30x10/8

FINISHES: SMOOTH - SANDBLASTED

COLORATIONS: WHITE - CLS GREY OR ON CUSTOMER REQUEST

Straight gutter or with slot for water collection and disposal available in two smooth or sandblasted finishes and in gray or white. Other colors available upon customer request.



Cycle Curb

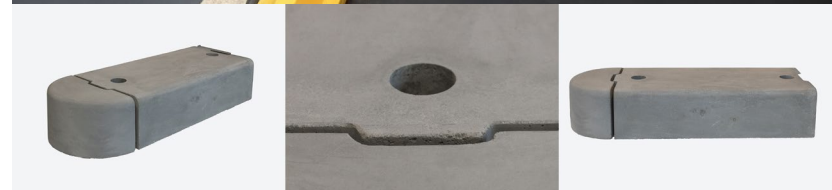
DIMENSIONS: 100x35x25 STRAIGHT

TESTATA A RAGGIO 35x17x25

FINISHES: SMOOTH - SANDBLASTED

COLORATIONS: WHITE - CLS GREY OR ON CUSTOMER REQUEST

Cycle lane kerb, divider and delimiter available in two finishes smooth or sandblasted and in the colors gray and white. Other colors available upon customer request.



Photovoltaic Ballast

Ballast for photovoltaic systems are essential to ensure the stability and safety of the panels, especially on flat roofs. These ballasts help to keep the panels in place, resisting adverse weather conditions such as strong winds.

Types of Ballast: There are different types of ballast, including fiber-reinforced and integrated profile, which offer **greater resistance and ease of installation.**

Advantages: Using patented, wind tunnel-tested ballast can significantly reduce installation time and increase system safety.

Installation: It is important to follow specific guidelines for installing ballast, ensuring that it is positioned correctly to avoid stability problems.

If you need further details or have specific questions, please do not hesitate to contact us.



Important

The ideal weight of ballast for photovoltaic systems can vary based on several factors, including:

✔ **Weather conditions**

In areas with strong winds, more weight may be needed to ensure stability.

✔ **Roof type**

The load capacity of the roof is crucial. It is important not to exceed the maximum weight that the roof can support.

✔ **Dimensions and inclination**

Larger panels or those with a steeper slope may require heavier ballast.

✔ **Generally**

Ballast can weigh anywhere from 15 to 30 kg per panel. However, it is always advisable to consult a structural engineer or PV expert to determine the exact weight needed for your specific installation.



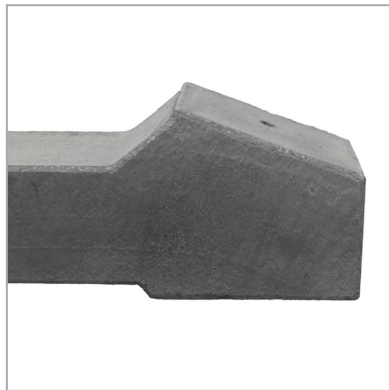
Big Ballast



Small Ballast

Photovoltaic Ballast

Ballast Angle 20°



Ballast Angle 30°





ARTE CEMENTO
CHINELLI SRL

Perimeter Edges For Pools





“Specializing in perimeter edges for swimming pools”

Arte Cemento Chinelli srl

Perimeter Edges For Pools

Our company specializes in the production of perimeter edges for swimming pools of different types: standard, overflow edge and flat edge, in straight, corner and radius variants. We also produce standard tiles for flooring, measuring 49.5×49.5×3 cm and 50×50×2.5 cm. We mainly use cement, but we also use grit and marble dust.

Furthermore, each product can be finished with different processes: smooth, non-slip (sandblasted) or bush-hammered, in various colours as desired, such as simple white, sand, antique pink, Siena yellow and Sarnico grey.



ARTE CEMENTO for over forty years it has been present in the sector of urban furniture, private construction and manufactured goods on request.

Concrete pool copings are a popular choice for those who want a long-lasting, elegant look for their pool.



Features

Here are some key options and features:

✔ Floor edges

These edges are **designed for easy installation and perfect adherence** to the ground. They are available in different sizes and can be customized in various colors to suit your personal taste.

✔ Straight and angled edges

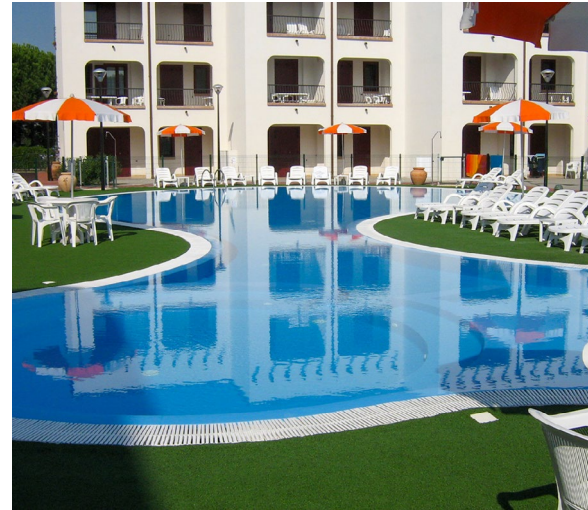
Ideal for functional decoration, these borders are added for greater resistance to water and humidity. They are available in both gray and white concrete.

✔ Perimeter breakwater edges

Made of concrete and marble chips, these copings are **perfect for inground and skimmer pools**. They are available in 60 cm sections or 90° angles.

✔ Flat edges

These edges offer a **sleek, modern design**, available in a variety of colors and finishes to suit your style.



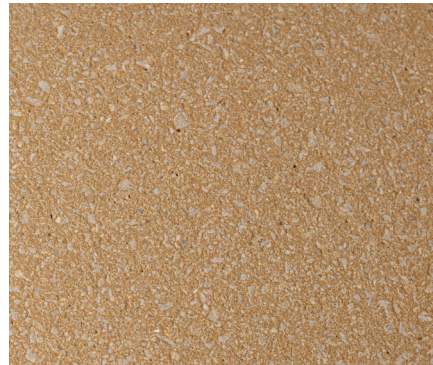
Color Guide

Below you will find all the available color variations illustrated, whenever you are shown the colors in the pages of this catalog you can refer to this page.





ECASTONE



SANDBLASTED YELLOW



YELLOW



SANDBLASTED GREY



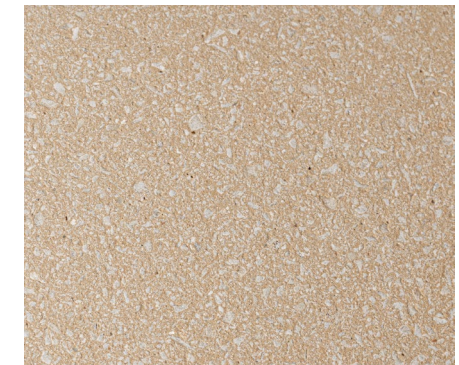
GREY



SANDBLASTED PINK



PINK



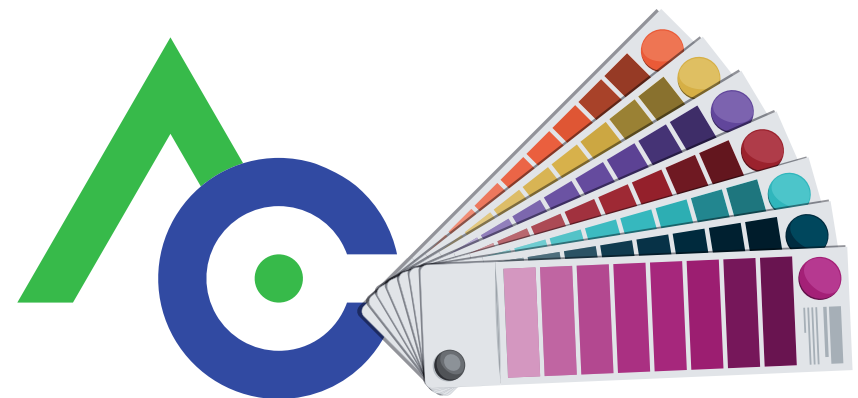
SANDBLASTED SAND



SAND



JADIS



Rosalind Edge

Variants available

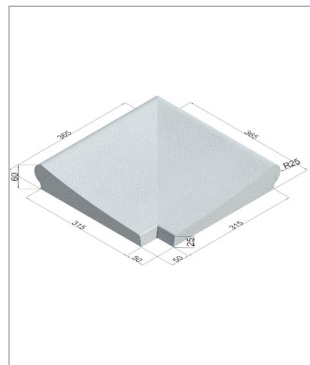
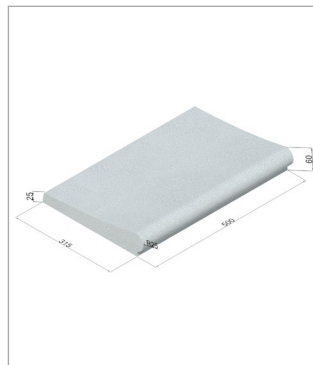
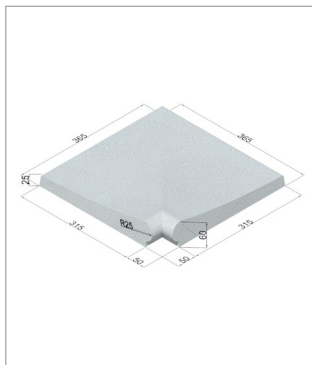
- Right
- Right angle
- Reverse corner
- Roman staircase
- Rays
- Floor tiles

Finishing

- Smooth
- Sandblasted

Available color

- White
- Sand
- Yellow Siena
- Gray
- Concrete
- Anthracite
- Pink
- Clay



Dimensions
50 x 31.5 x 6 cm

Weight
29 lb

Jadis Edge



Variants available

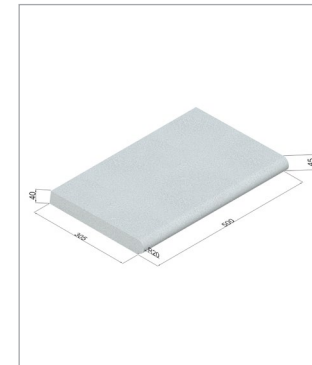
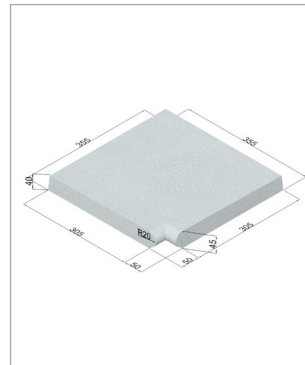
- Right
- Right angle
- Reverse corner
- Roman staircase
- Rays
- Floor tiles

Finishing

- Smooth
- Sandblasted

Available color

- White
- Sand
- Yellow Siena
- Gray
- Concrete
- Anthracite
- Pink
- Clay



Dimensions
50 x 30.5 x 4.5 cm

Weight
33 lb

Ecastone Edge

Variants available

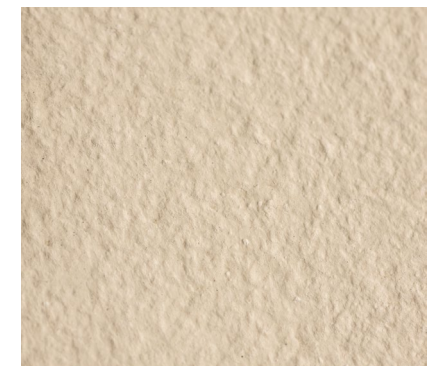
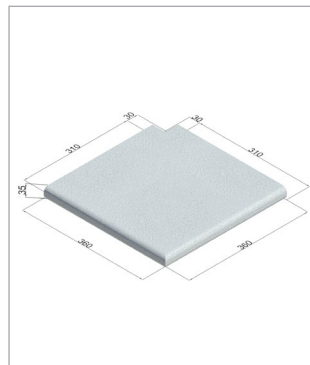
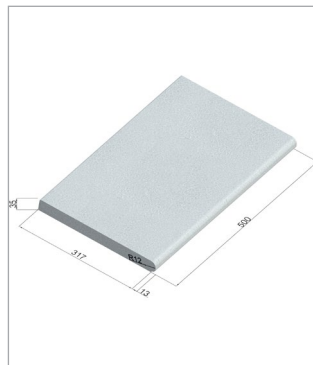
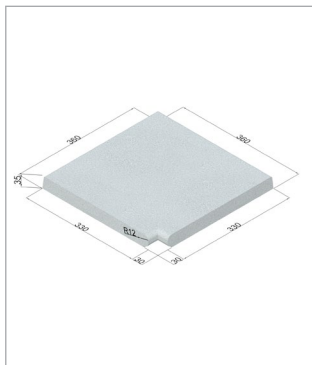
- Right
- Right angle
- Reverse corner
- Rays
- Floor tiles

Finishing

- Smooth
- Sandblasted

Available color

- White
- Sand
- Yellow Siena
- Gray
- Concrete
- Anthracite
- Pink
- Clay



Dimensions
50 x 31.5 x 3.5 cm

Weight
29 lb

Flat Edge



Variants available

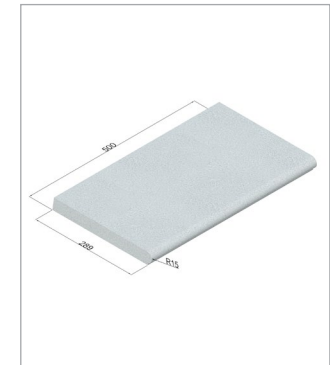
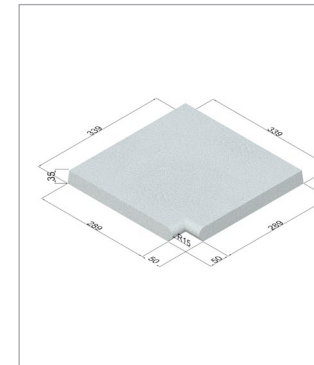
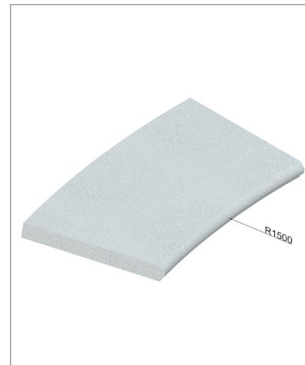
- Right
- Right angle
- Reverse corner
- Rays

Finishing

- Smooth
- Sandblasted

Available color

- White
- Sand
- Yellow Siena
- Gray
- Concrete
- Anthracite
- Pink
- Clay



Dimensions
50 x 28.5 x 3.5 cm

Weight
29 lb

Regular Edge

Variants available

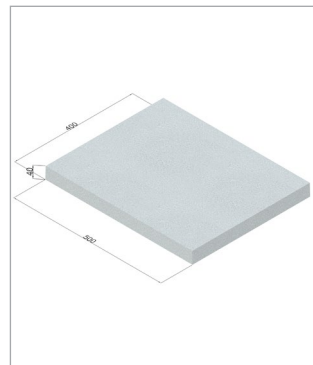
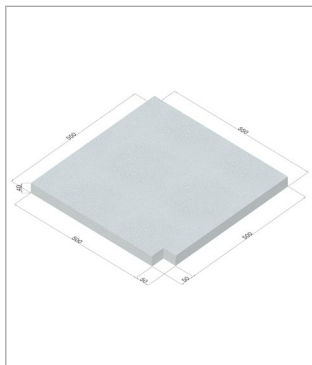
- Right
- Right angle
- Reverse corner
- Rays

Finishing

- Smooth
- Sandblasted

Available color

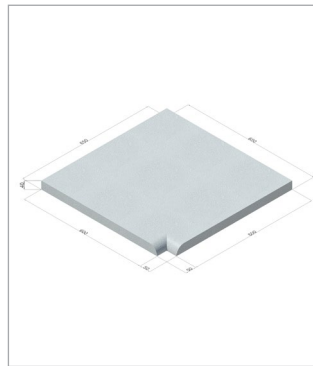
- White
- Sand
- Yellow Siena
- Gray
- Concrete
- Anthracite
- Pink
- Clay



Dimensions
50 x 40 x 4 cm

Weight
40 lb

Owl's Beak Edge



Dimensions
60 x 40 x 4 cm

Weight
48 lb

Variants available

- Right
- Right angle
- Reverse corner
- Radius 1.50
- Other rays on request

Finishing

- Smooth
- Sandblasted

Available color

- White
- Sand
- Yellow Siena
- Gray
- Concrete
- Anthracite
- Pink
- Clay

Pool Overflow

Variants available

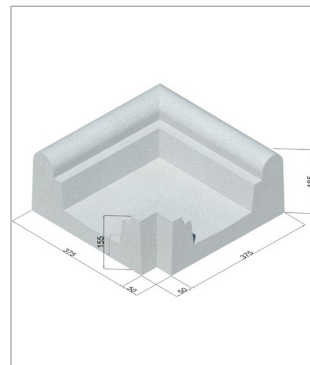
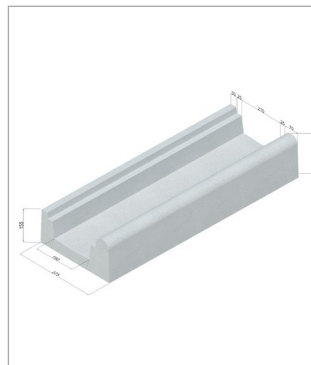
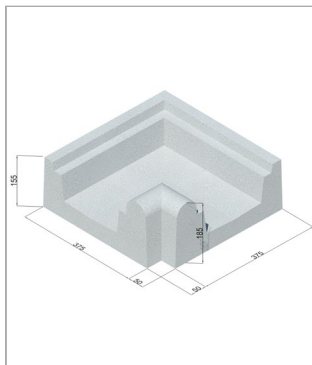
- Right
- Right angle
- Reverse corner
- Rays
- With drain
- Terminal
- Without dentil

Finishing

- Normal
- Lightened

Available color

- White



Dimensions
100 x 37.5 x 18.5 cm

Weight
176 lb

Finnish Pool Overflow



Variants available

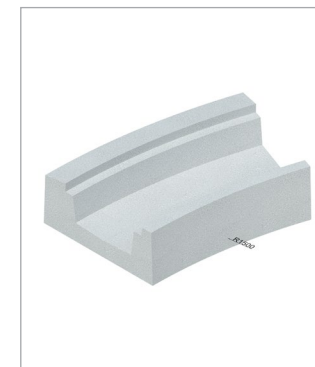
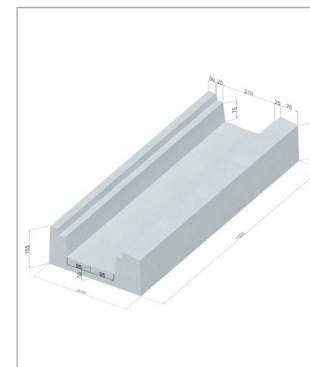
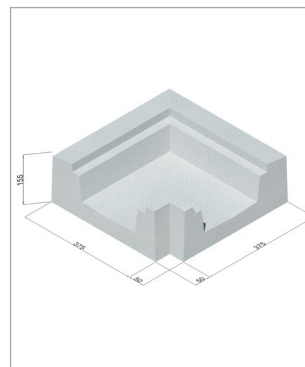
- Right
- Right angle
- Reverse corner
- Rays
- With drain
- Terminal
- Without dentil

Finishing

- Normal
- Lightened

Available color

- White



Dimensions
100 x 37.5 x 15.5 cm

Weight
165 lb

Pool Overflow Medium

Variants available

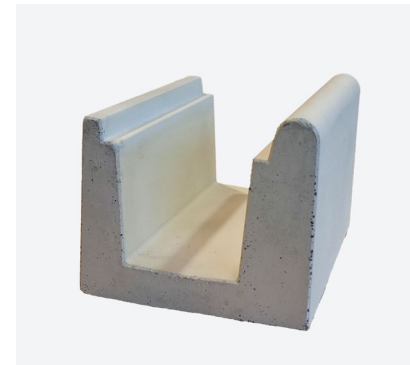
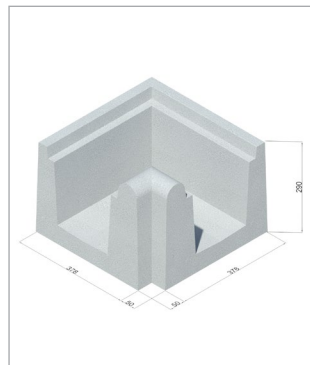
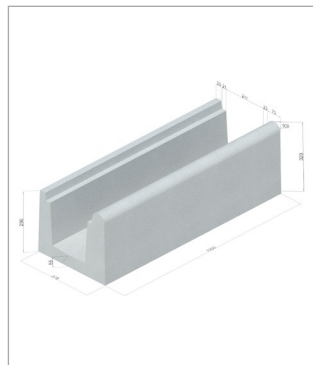
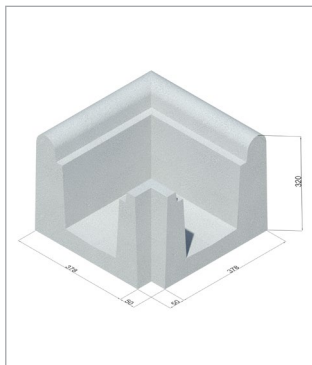
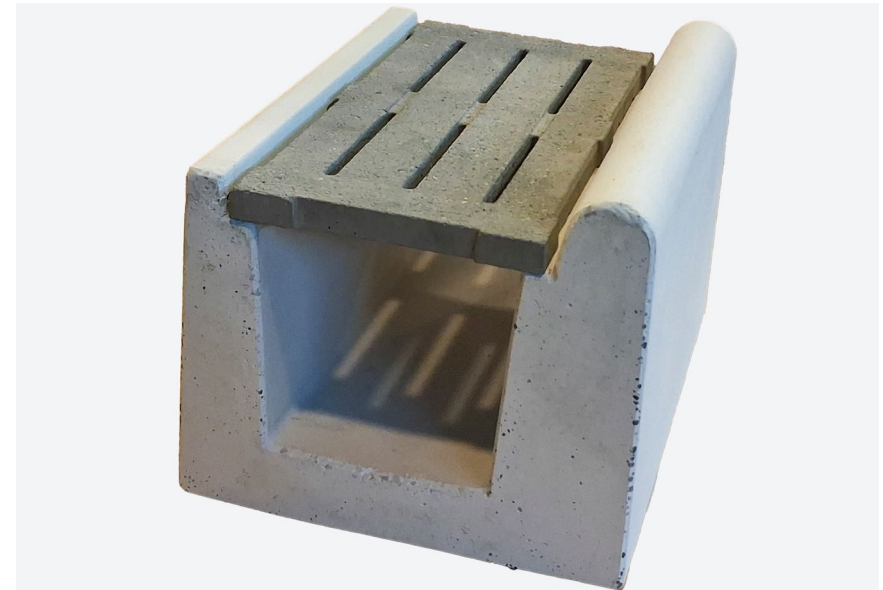
- Right
- Right angle
- Reverse corner
- With drain
- Terminal
- Rays

Finishing

- Lightened

Available color

- White



Dimensions
100 x 37.5 x 32 cm

Weight
200 lb

Pool Overflow High



Dimensions

100 x 31 x 28.5 cm

Weight

154 lb



Variants available

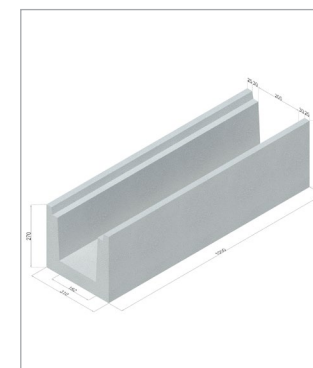
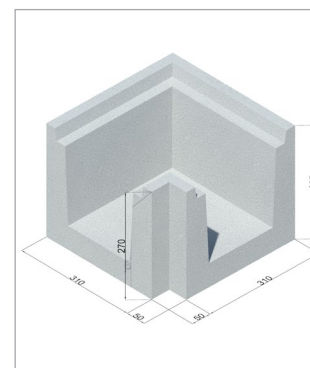
- Right
- Right angle
- Reverse corner
- Rays
- With drain
- Terminal

Finishing

- Normal
- Lightened

Available color

- White



Variants available

- Right
- Right angle
- Reverse corner
- With drain
- Rays
- Terminal

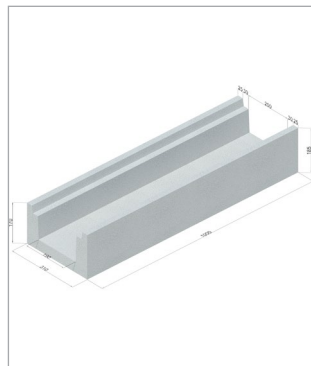
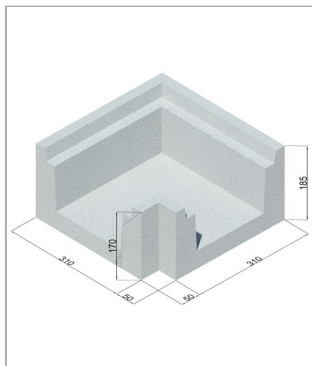
Finishing

- Smooth
- Sandblasted

Available color

- White

Pool Overflow Low



Dimensions
100 x 31 x 18.5 cm

Weight
110 lb

Esim Slotted Pool Overflow



Dimensions

100 x 44 x 1 5.5 cm

Weight

200 lb

Variants available

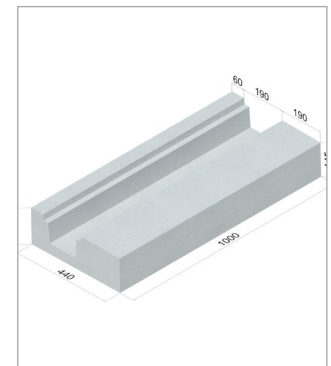
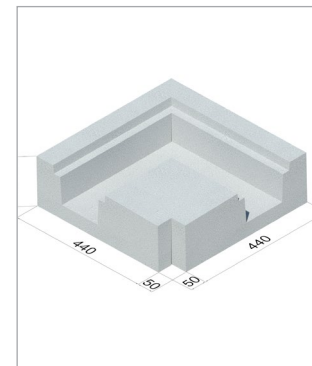
- Right
- Right angle
- Reverse corner
- Rays
- With drain
- Terminal

Finishing

- Lightened

Available color

- White



Variants available

- Right
- Right angle
- Reverse corner
- With drain
- Rays
- Terminal

Finishing

- Normal
- Lightened

Available color

- White

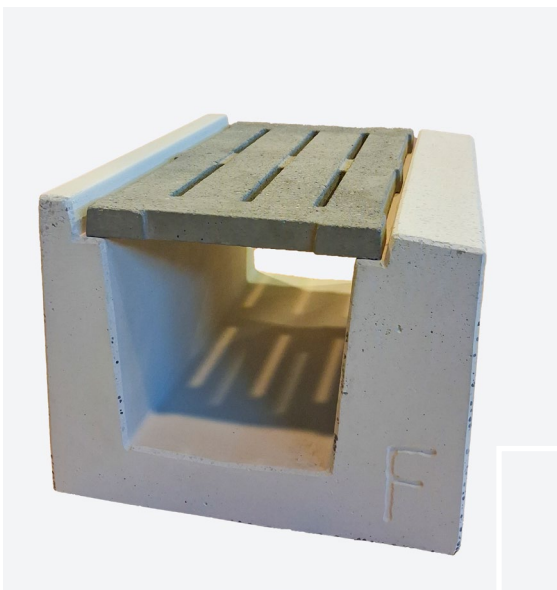
Hidden Pool Overflow



Dimensions
100 × 37,5 × 15,5 cm

Weight
154 lb

Middle Beach Pool Overflow

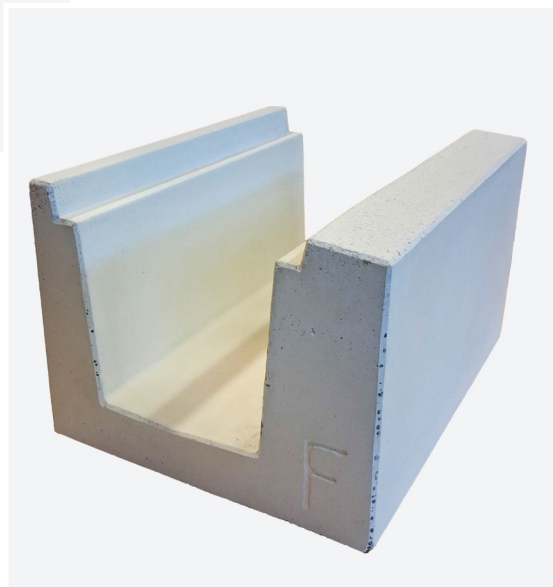


Dimensions

100 x 37.5 x 29 cm

Weight

90 kg = 200 lb



Variants available

- Right
- Right angle
- Reverse corner
- Rays
- With drain
- Terminal

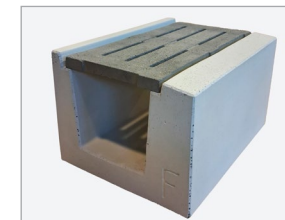
Finishing

- Lightened

Available color

- White

Grille 1 and 3 slots





Grille 1 Slot



Dimensions
50 x 25 x 2.5 cm



Weight
18 lb

Variants available

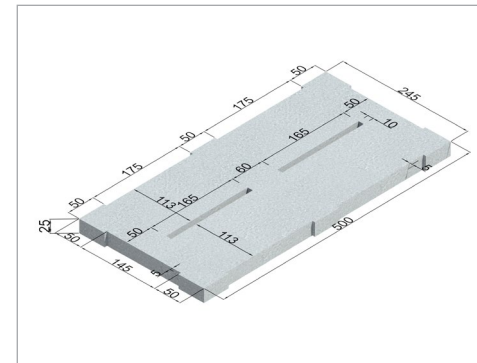
- Right
- Right angle
- Reverse corner
- Rays

Finishing

- Sandblasted

Available color

- White
- Sand
- Concrete
- Anthracite



Standard Tiles



Dimensions
50 x 50 x 2.5 cm
49.5 x 49.5 x 3.5 cm



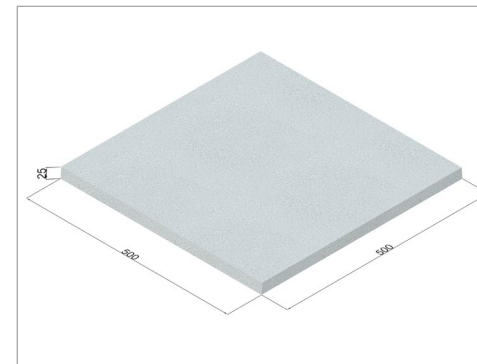
Weight
33 lb

Finishing

- Smooth
- Sandblasted

Available color

- White
- Sand
- Yellow Siena
- Gray
- Concrete
- Anthracite
- Pink
- Clay



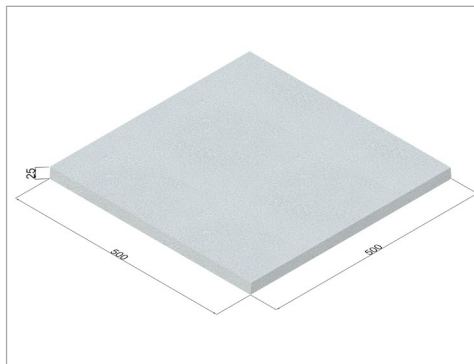
Jadis Tiles

Finishing

- Smooth
- Sandblasted

Available color

- White
- Sand
- Yellow Siena
- Gray
- Concrete
- Anthracite
- Pink
- Clay



Dimensions
50 x 50 x 2.5 cm

Weight
33 lb

Rosalind Tiles



Dimensions
50 x 50 x 2.5 cm



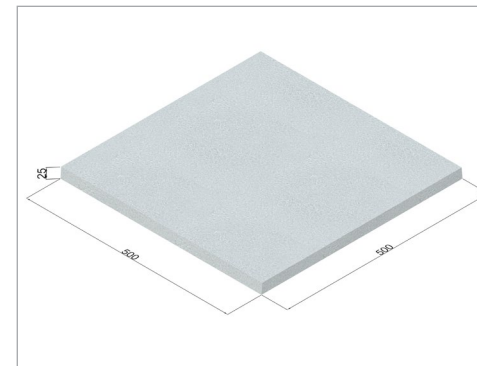
Weight
33 lb

Finishing

- Smooth
- Sandblasted

Available color

- White
- Sand
- Yellow Siena
- Gray
- Concrete
- Anthracite
- Pink
- Clay



Porcelain Stoneware

Porcelain stoneware tiles and borders available in various sizes, shapes and colours for pool edges and floors with an attractive design.

Variants: 25x50 grid and 50x40 bull edge



KANDLA GREY



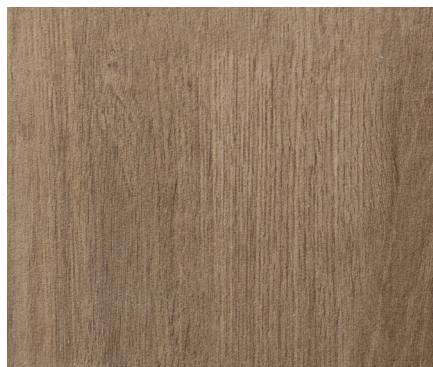
BAKED CEMENT



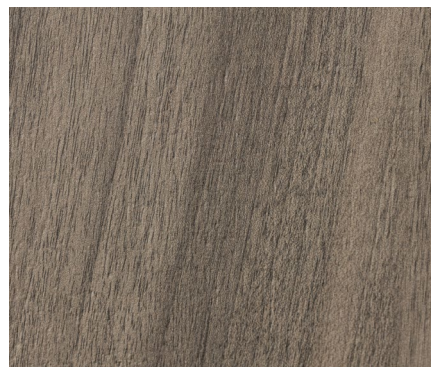
CORTEN METAL



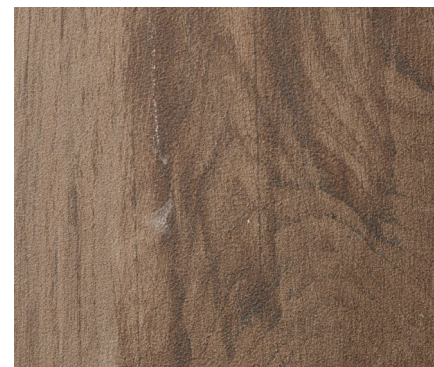
DUOMO PEARL



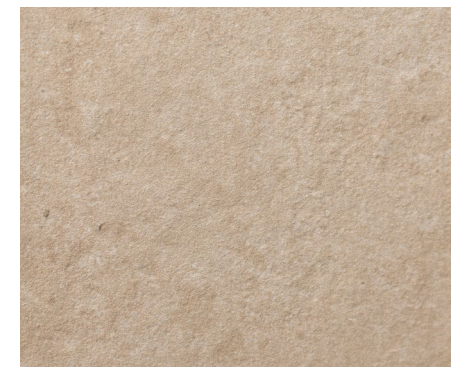
LIGHT FOREST



HOLZ GREY



BORNEO FOREST



BOTTICINO TOWER

Pool, Spa and Sauna Dealer

The best experience? It's not the quantity of jets, but their quality and proper placement. From **the perfect mix of air and water, to the careful positioning of each jet in the ergonomic benches**, hydromassage spas offer the best massage for your needs. From PowerPro jets to tension-relieving lounge seats, **each spa is meticulously designed to promote maximum relaxation.**

Hot tubs are a great choice for relaxing and enjoying a rejuvenating massage at home. There are several options available, from outdoor hot tubs to inflatable spas.





Already have a specific model or brand in mind? We can help you find more details or compare options! Hot tubs offer numerous benefits, both for the body and the mind. Here are some of the main ones:

✓ **Stress Reduction**

The warm water and massage help reduce stress and anxiety, promoting a general feeling of well-being.

✓ **Pain Relief**

Hot tubs can relieve joint and muscle pain, making them ideal for those with arthritis or other painful conditions.

✓ **Sleep Quality**

Using a hot tub before bed can improve the quality of your sleep, thanks to the deep relaxation it induces.

Design

In the world of contemporary design, **concrete has distinguished itself as a versatile and fascinating material, capable of combining aesthetics, art and functionality.** Arte Cemento has been a pioneer in this field for 40 years, creating unique artefacts that transform concrete into true works of art.

From elegant lamps to sturdy benches, from contemporary vases to classic ones, to interior accessories, stools, tables with inserts and much more. **Our concrete products adapt to any context.**

The unique texture and customizable finishes allow you to create unique environments, where industrial design meets domestic comfort and marries urban furniture.



The unique texture and customizable finishes allow you to create unique environments, where industrial design meets domestic comfort and marries urban furniture. At Arte Cemento, we believe that every artifact should be a perfect fusion of beauty and practicality.

That's why **our designers work closely with engineers and architects** to ensure that each piece is not only visually appealing, but also **meets the practical and functional needs of our customers.**

In Design **Beauty** is a key element

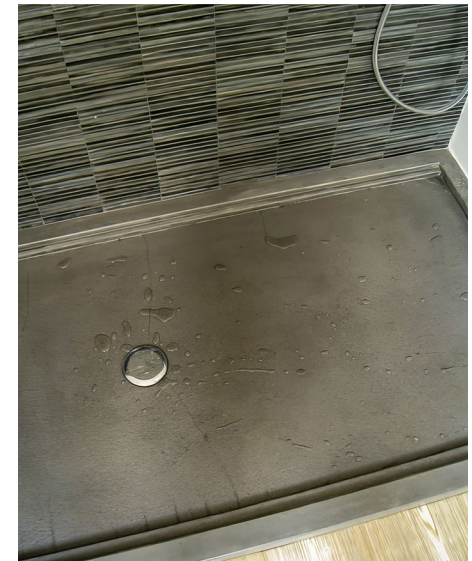
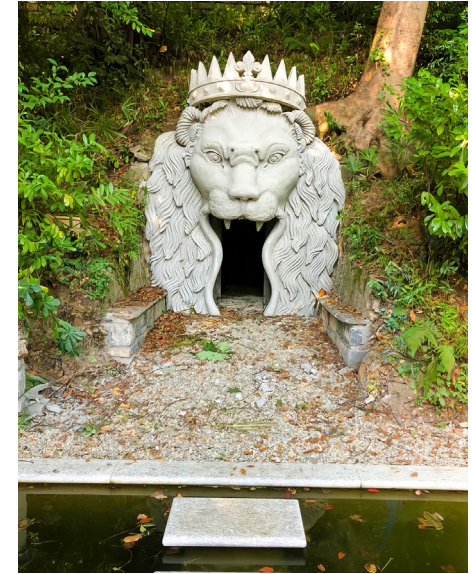
Our priority is to **combine art with technological innovation to offer unique products**. In design, beauty is a key element, indispensable, it transforms concrete, often perceived as a raw material, into works of art that embellish public and private spaces. **It is not only about the appearance, but also about its use.**

Artifacts that are not only visually pleasing but also well-designed and respond to the practical needs of our customers. We believe that thoughtful design must also consider environmental impact. **The adoption of sustainable practices in the design of our artifacts, innovative techniques and eco-friendly materials** contribute to a responsible approach to the environment. Our products are not only beautiful, but also sustainable.

With Arte Cemento “concrete” becomes synonymous with elegance and modernity.

Each piece is crafted with care, reflecting our commitment to responsible design. Our concrete products boast a functional and sustainable design, capable of transforming any environment making it unique and personalized.

We invite you to discover our collection of concrete products, designed for those **looking for innovative and quality design** solutions and ask us for any project to be made to measure.





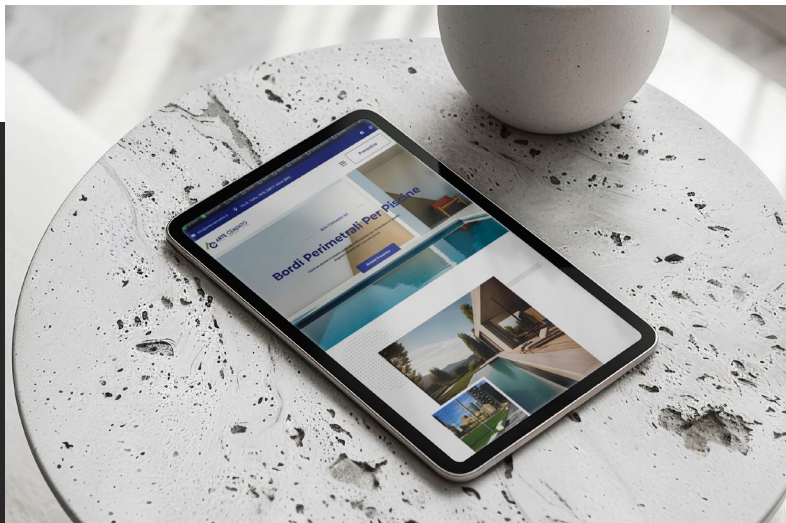
Warnings and Guide

Arte Cemento Chinelli srl

Products Made

Each product may be subject to chromatic variations, even within the same supply. This is because our products are made of natural raw materials, cements and dyes, which are therefore subject to changes and alterations in shade; any differences in color are not to be considered defects but peculiarities of the elements themselves. The sample products are an example of the finished product and are not binding from an aesthetic point of view with respect to the product supplied.

The wear and tear of time, atmospheric conditions and the variability of raw materials can change the appearance of the product and modify it with respect to a new production. Each manufacturing process such as smoothing, sandblasting and bushhammering, may not be identical between different products even within the same supply.



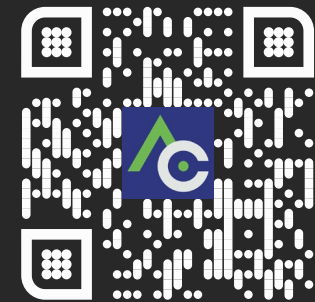
We recommend not leaving the products stored outdoors with open or damaged packaging as the stagnation of acidic and calcareous rainwater could damage the surface, generating stains that are not easily removed.

The images shown in catalogs, price lists and advertisements are intended to give an example of the product whose colors and materials are to be considered as general and approximate indications of the product and not binding with respect to the material delivered. The color of the products in the images contained in the catalog may appear different from the product contained in the pallets or boxes due to the light and the setting in which they were taken.

Efflorescence could be caused by other elements in contact with the artifact such as salts that move from the substrate to the surface of the artifact and give rise to it. If the blemish persists, and if at least a year has passed since installation, you can intervene with cleaning products that help eliminate efflorescence, but which do not guarantee that the problem will not reappear if it is caused by the surrounding environment as a result of humidity or infiltrations.

Check out the full
guide on
our website

www.arte-cemento.it





MANUFATTI DECORATIVI E MANUFATTI PER PISCINE

📍 Via A. Volta, 18/b - 24011 Almè (BG)

☎ +39 035 636 457

✉ info@arte-cemento.it

🌐 www.arte-cemento.it



Partita IVA: 04046200160